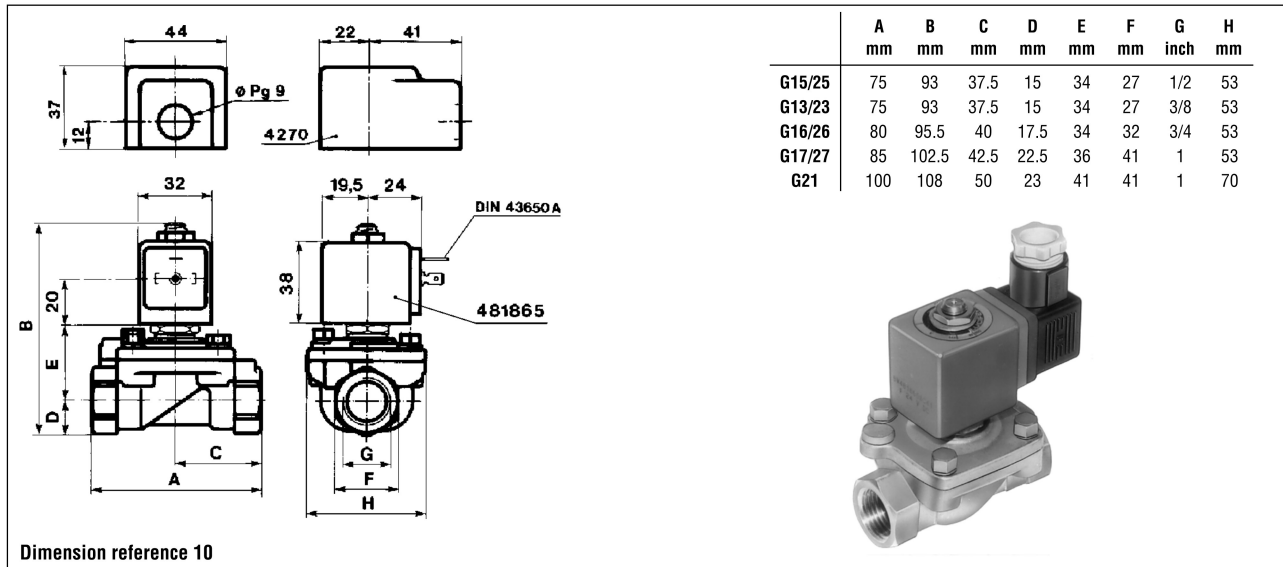


## Anti-water hammer valves 2/2 - Magnalift



# Anti-water hammer valves

# 2/2

## Applications

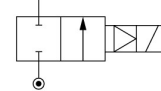
Pilot operated valves are ideally suited to shut-off applications of liquids with high flow and pressure. A minimum operating pressure is required: refer to tables.



## Pilot operated

Port size	Orifice (mm)	Flow factors (L/min)		Admissible differential pressure bar			Fluid temp. °C	Seat disc	Reference numbers				Power consumption (W)		Wt. (g)	El. Part Group *	Dim ref.
		kv	Qmax	Min	Max				Global valve reference	Valve reference no.	Housing	Coil	DC	AC			

Normally closed



## Brass body/Pipe mounting

1/4	12	30	30	0.3	12	12	100	FKM	7321KBG2SVW0	<b>321K4106</b>	<b>2995</b>	<b>481865</b>	9	8	490		73
	12	30	30	0.3	12	12	100	FKM		<b>4270</b>	<b>481000</b>	8	8	610			
	12	30	30	0.3	12	12	100	FKM	7321KBG2SVMW	<b>321K4156</b>	<b>2995</b>	<b>481865</b>	9	8	490		73
	12	30	30	0.3	12	12	100	FKM		<b>4270</b>	<b>481000</b>	8	8	610			
3/8	12	45	45	0.3	12	12	100	FKM	7321KBG3TVW0	<b>321K4306</b>	<b>2995</b>	<b>481865</b>	9	8	490		73
	12	45	45	0.3	12	12	100	FKM		<b>4270</b>	<b>481000</b>	8	8	610			
	12	45	45	0.3	12	12	100	FKM	7321KBG3TVMW	<b>321K4356</b>	<b>2995</b>	<b>481865</b>	9	8	490		73
	12	45	45	0.3	12	12	100	FKM		<b>4270</b>	<b>481000</b>	8	8	610			
1/2	12	50	50	0.3	12	12	100	FKM	7321KBG4TVW0	<b>321K4506</b>	<b>2995</b>	<b>481865</b>	9	8	490		73
	12	50	50	0.3	12	12	100	FKM		<b>4270</b>	<b>481000</b>	8	8	610			
	12	50	50	0.3	12	12	100	FKM	7321KBG4TVMW	<b>321K4556</b>	<b>2995</b>	<b>481865</b>	9	8	490		73
	12	50	50	0.3	12	12	100	FKM		<b>4270</b>	<b>481000</b>	8	8	610			
3/4	18	100	100	0.3	12	12	100	FKM	7321KBG51VW0	<b>321K4606</b>	<b>2995</b>	<b>481865</b>	9	8	700		73
	18	100	100	0.3	12	12	100	FKM		<b>4270</b>	<b>481000</b>	8	8	820			
	18	100	100	0.3	12	12	100	FKM	7321KBG51VMW	<b>321K4656</b>	<b>2995</b>	<b>481865</b>	9	8	700		73
	18	100	100	0.3	12	12	100	FKM		<b>4270</b>	<b>481000</b>	8	8	820			
	20	135	135	0.3	16	16	75	NBR	7321GBG53NMC	<b>E321G3610</b>	<b>2995</b>	<b>481865</b>	9	8	1430	2	11
	20	135	135	0.3	16	16	75	NBR		<b>4270</b>	<b>481000</b>	8	8	1550	2		
1	18	110	110	0.3	12	12	100	FKM	7321KBG62VW0	<b>321K4706</b>	<b>2995</b>	<b>481865</b>	9	8	845		73
	18	110	110	0.3	12	12	100	FKM		<b>4270</b>	<b>481000</b>	8	8	965			
	18	110	110	0.3	12	12	100	FKM	7321KBG62VMW	<b>321K4756</b>	<b>2995</b>	<b>481865</b>	9	8	845		73
	18	110	110	0.3	12	12	100	FKM		<b>4270</b>	<b>481000</b>	8	8	965			
	25	180	180	0.3	16	16	75	NBR	7321GBG64NMC	<b>E321G3710</b>	<b>2995</b>	<b>481865</b>	9	8	1230	2	11
	25	180	180	0.3	16	16	75	NBR		<b>4270</b>	<b>481000</b>	8	8	1350	2		

Table continued on page 68

### Notes:

\* See Electrical Parts Group table at end of section

1. Manual override standard

2. Manual override and 4 position selector for controlled closure rate standard - without manual override and 4 position selector on request: same type without suffix 10, e.g. :

E321G36

## Anti-water hammer valves 2/2 - Pilot operated

	A mm	B mm	C mm	D mm	E mm	F mm	G inch	H mm
<b>G37</b>	100	121	50	23	54	41	1	70
<b>G36</b>	100	121	50	23	54	41	3/4	70
<b>G38</b>	110	137.5	55	33	60.5	60	1 1/4	99
<b>G39</b>	140	144	75	33	67	60	1 1/2	99
<b>G40</b>	150	158.5	80	41.5	73	75	2	99

**Dimension reference 11**

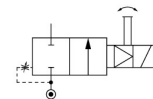
	A inch	B mm	C mm	D mm	E mm	F mm	G mm	H mm	I mm	J mm	Dia. mm
<b>K41</b>	1/4	25	50	6.2	29	27	5.5	93.5	39	73.5	40
<b>K43</b>	3/8	25	50	6.2	29	27	5.5	93.5	39	73.5	40
<b>K45</b>	1/2	27.5	55	6.2	29	27	5.5	93.5	39	73.5	40
<b>K46</b>	3/4	40	80	9	36.5	32	8	109	46	81	56
<b>K47</b>	1	42.5	85	14.2	36.5	41	8	109	56	81	56

**Dimension reference 73**

## Anti-water hammer valves 2/2 - Pilot operated

Port size	Orifice (mm)	Flow factors (L/min)		Admissible differential pressure bar			Fluid temp. °C	Seat disc	Reference numbers				Power consumption (W)		Wt. (g)	El. Part Group *	Dim ref.
				Min	Max				Global valve reference	Valve reference no.	Housing	Coil	DC	AC			
G		kv	Qmax		DC	AC											

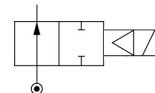
Normally closed



### Brass body/Pipe mounting

1 1/4	28	280	280	0.3	16	16	75	NBR	7321GBG76NMC	E321G3810 <sup>1</sup>	2995	481865	9	8	1860	2	11
	28	280	280	0.3	16	16	75	NBR			4270	481000	8	8	1980	2	
1 1/2	40	420	420	0.3	10	16	75	NBR	7321GBG88NMC	E321G3910 <sup>1</sup>	2995	481865	9	8	2560	2	11
	40	420	420	0.3	8.5	16	75	NBR			4270	481000	8	8	2680	2	
	40	420	420	0.3	16	16	75	NBR			4270	486265	14	14	2700	2	
2	40	540	540	0.3	10	16	75	NBR	7321GBG99NMC	E321G4010 <sup>1</sup>	2995	481865	9	8	2900	2	11
	40	540	540	0.3	8.5	16	75	NBR			4270	481000	8	8	3040	2	
	40	540	540	0.3	16	16	75	NBR			4270	486265	14	14	3050	2	

Normally open



### Brass body/Pipe mounting

3/4	20	135	135	0.3	16	16	75	NBR	7322GBG53NCO	322G3610 <sup>2</sup>	2995	481865	9	8	1430		11
	20	135	135	0.3	16	16	75	NBR			4270	481000	8	8	1550		
1	25	185	185	0.3	16	16	75	NBR	7322GBG64NCO	322G3710 <sup>2</sup>	2995	481865	9	8	1230		11
	25	185	185	0.3	16	16	75	NBR			4270	481000	8	8	1350		
1 1/4	28	270	270	0.3	16	16	75	NBR	7322GBG76NCO	322G3810 <sup>2</sup>	2995	481865	9	8	1860		11
	28	270	270	0.3	16	16	75	NBR			4270	481000	8	8	1980		
1 1/2	40	425	425	0.3	12	12	75	NBR	7322GBG88NCO	322G3910 <sup>2</sup>	2995	481865	9	8	2560		11
	40	425	425	0.3	12	12	75	NBR			4270	481000	8	8	2680		
2	40	540	540	0.3	12	12	75	NBR	7322GBG99NCO	322G4010 <sup>2</sup>	2995	481865	9	8	2900		11
	40	540	540	0.3	12	12	75	NBR			4270	481000	8	8	3040		

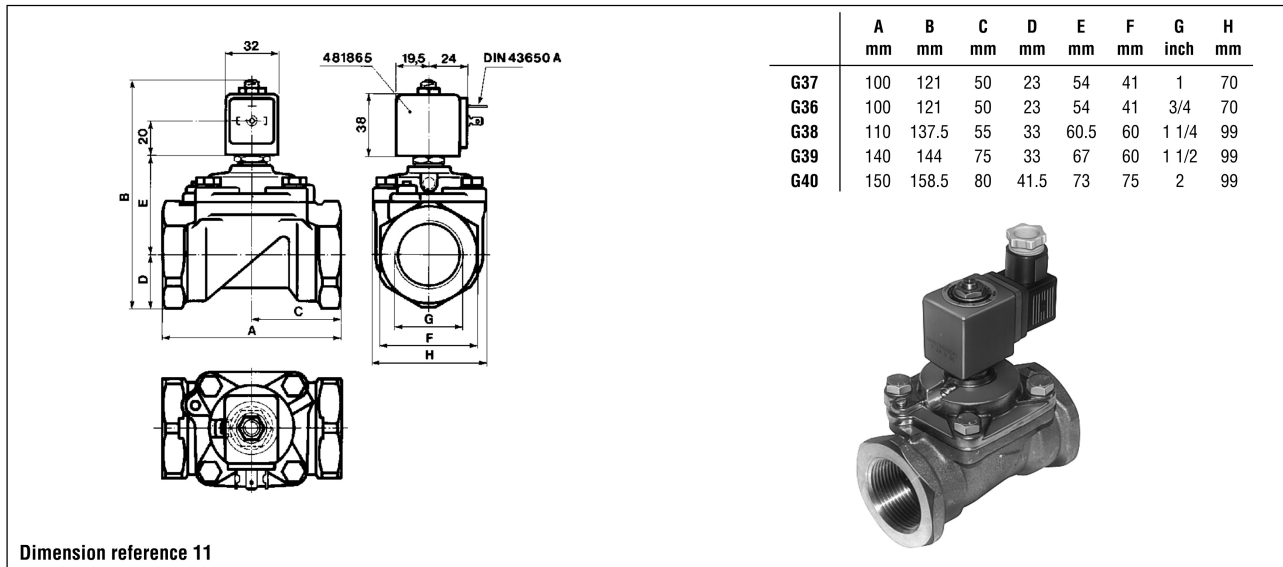
#### Notes:

\* See Electrical Parts Group table at end of section

1. Manual override and 4 position selector for controlled closure rate standard - without manual override and 4 position selector on request: same type without suffix 10, e.g. : E321G36

2. 4 position selector for controlled closure rate standard

## Anti-water hammer valves 2/2 - Pilot operated



## Electrical parts options with 2/2 anti-waterhammer valves for water and neutral liquids

El.part Group	Coil	Protection class	Protection class /	Power		Coil	Coil	Connection	Housing	Housing	Ambient temp.			
			Temperature class	DC	AC	Order No.	Ref. No.		Order No.	Ref. No.	min.	max.		
1	22 mm	IP 65	Class F	2.5 W	2 W	DA01	488980	for DIN plug	A0	8993	-40	50		
		IP 65	Class F	2.5 W	2 W	DA02	481045	with DIN plug	A0	8993	-40	50		
		IP 65	Class F	5 W	4 W	DA03	481180	for DIN plug	A0	8993	-40	50		
		IP 65	Class F	5 W	4 W	DA04	481530	with DIN plug	A0	8993	-40	50		
		IP 65	EEx m II T4	5 W	4 W	VA01	482605	with 1500mm cable	00	-	-40	50		
		IP 65	EEx m II T5	2.5 W	2 W	VA02	482606	with 1500mm cable	00	-	-40	50		
2	32 mm (Std)	IP 65	Class F	9 W	8 W	DZ02	481865	for DIN plug	N1	2995	-40	50		
		IP 65		9 W	8 W	DZ03	482725	with DIN plug	N1	2995	-40	50		
		IP 65	Class H	9 W	8 W	DZ04	492453	for DIN plug	N1	2995	-40	50		
		IP 65		9 W	8 W	DZ05	492726	with DIN plug	N1	2995	-40	50		
		IP 65	Class F, 50/60 Hz	-	9 W	DZ06	483510	for DIN plug	N1	2995	-40	50		
		IP 65		-	9 W	DZ07	482635	with DIN plug	N1	2995	-40	50		
		IP 65	EEx m II T4	9 W	8 W	HZ05	492670	with 3000mm cable	00	-	-40	40		
		IP 65	Class H	14 W	14 W	DZ08	492425	for DIN plug	N1	2995	-40	50		
		IP 65		14 W	14 W	DZ09	492727	with DIN plug	N1	2995	-40	50		
	50 mm (Std)	IP10 / IP 44	Class F	8 W	8 W	EZ01	481000	screw-terminals	E0	4270	-40	50		
		IP10 / IP 44	Class H	8 W	8 W	EZ02	485100	screw-terminals	E0	4270	-40	50		
		IP10 / IP 44	Class H	14 W	14 W	EZ92	486265	screw-terminals	E0	4270	-40	50		
		IP 67	Class F, M20x1.5	8 W	8 W	EZ01	481000	screw-terminals	G1	4538	-40	50		
		IP 65	EEx m II T5/T4	9 W	8 W	VZ01	492070	with 1500mm cable	00	-	-40	40/65		
		IP 67	EEx me II T4	8 W	8 W	HZ06	483371	for cable connection	00	-	-40	65		
		IP 66	EEx me II T3/T4	11 W	9 W	VZ03	492190	for cable connection	00	-	-40	75/40		
		3	32 mm	IP 65	Class H	-	14 W	DZ08	492425	for DIN plug	N1	2995	-40	50
		4	50 mm (impulse)	IP10 / IP 44	Class F	-	11 W	MZ01	484990	screw-terminals	E1	4269	-40	50
IP10 / IP 44	Class F			13 W	-	MZ02	485400	screw-terminals	E1	4269	-40	50		
5	50 mm	IP 54	EEx d IIC T4/T5/T6	8 W	8 W	HZ08	483250	for cable 1/2 NPT	00	-	-40	80/75/60		
6	32 mm (Miniwatt)	IP 65	Class F	1.6 W	-	DZ10	482740	for DIN plug	N1	2995	-40	50		
		IP 65	Class F	1.6W	-	DZ11	482745	with DIN plug	N1	2995	-40	50		
	50 mm (Miniwatt)	IP 67	EEx me II T5	2.5 W	-	VZ04	491117	for cable connection	00	-	-40	65		
		IP 67	EEx m II T5/T4	2.5 W	2.5 W	VZ05	492370	with 1500mm cable	00	-	-40	40/65		
		IP 66	EEx me II T6/T5	2.5 W	2.5 W	VZ06	492390	for cable connection	00	-	-40	40/75		
7	32 mm	IP 65	EEx ia II C T6	0.4 W	-	DZ12	483580.01	for DIN plug	N1	2995	-40	55		
		IP 65		0.4 W	-	DZ13	483960.01	with DIN plug	N1	2995	-40	55		
	50 mm	IP 66	EEx ia II C T6	0.4 W	-	VZ07	488650.01	for cable connection	00	-	-40	65		
		IP 67		0.4 W	-	VZ08	488660.01	with 2000mm cable	00	-	-40	65		
		IP 65		0.4 W	-	VZ09	488670.01	with DIN plug	00	-	-40	65		

Note: This table is indicative only. Please contact your distributor to confirm your selection.